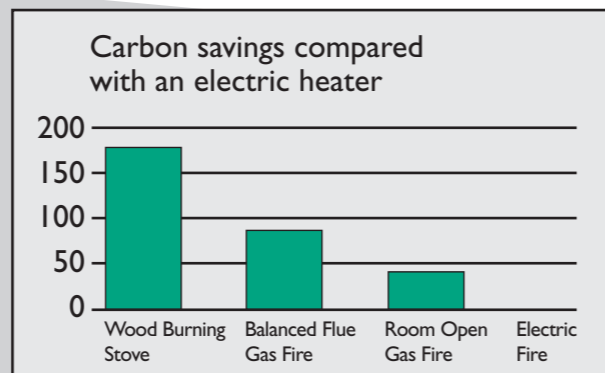


## Wood burning stoves... even MORE environmentally friendly

The benefit of installing a wood burning stove in an existing house can be considerable. Replacing an open fire, room open gas effect fire or an electric appliance with a wood burning stove will significantly reduce the house's carbon output. An electric fire is the most carbon intensive option. The graph alongside shows the carbon savings per year using different secondary heating appliances compared with an electric fire.

As you can see a wood burning stove is by far the best option. Nearly 200kg of carbon can be saved per year simply by switching from an electric fire to a wood burning stove.



The increased efficiency of a wood burning stove with 70%+ efficiency compared to an open fire at 32% and a room open gas effect fire at 55% will make a noticeable difference to fuel economy and warmth in the house. Existing properties with chimneys can benefit from the reduction in the air loss rate by reducing the chimney diameter from 200mm to a flue of 150mm internal diameter suitable for most stoves. This will also eliminate the drafts caused by an open fire drawing air from the room.

In new houses a wood burning stove can now be used as primary heating and be responsible for up to 100% of the house. It can also be used in conjunction with another heat source like a condensing boiler or heat pump. Whether on its own or part of a combined heating solution a wood burning stove can be used to reduce the carbon output of the house.

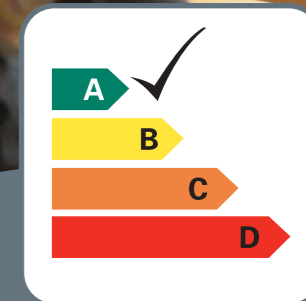
The chimney plays an important role in the heating system because an efficient heating appliance requires a well and consistently insulated chimney to perform efficiently.

HETAS is the independent UK body recognised by DEFRA for the official testing and approval of domestic solid fuels, solid fuel and wood burning appliances and associated equipment and services. Also approved by DCLG (by Statutory Instrument) to run a Competent Persons self-certification scheme for Installers of wood, biomass and solid fuel appliances/systems. [www.hetas.co.uk](http://www.hetas.co.uk)

Schiedel Chimney Systems run HETAS approved training courses for installers and people who want a better understanding of stoves and their installation. For more details visit [www.schiedel.co.uk/training](http://www.schiedel.co.uk/training).

Schiedel Rite-Vent flues are HETAS approved products and should be installed by a competent person.

**Schiedel Chimney Systems**  
Crowther Estate  
Washington  
Tyne & Wear NE38 0AQ  
Tel. +44 (0)191 416 1150  
Fax. +44 (0)191 415 1263  
info@schiedel.co.uk  
[www.schiedel.co.uk/rite-vent](http://www.schiedel.co.uk/rite-vent)



## CHOOSING THE RIGHT FLUE FOR YOUR STOVE...

*The Schiedel Rite-Vent Stove Range*

Stove Brochure DOC CP3/60 Oct 2011



## The Schiedel Rite-Vent Stove Range

There are essentially two parts to an effective chimney for a stove:

1. The Connecting Flue Pipe, connecting the stove to the chimney system or flexible liner
2. The main chimney system, which can be composed of either:-
  - a) A Chimney Liner (Rigid or Flexible) in an existing masonry chimney or
  - b) A System Chimney (Twin Wall Insulated) for a new build house or for retrofit where a house does not have an existing chimney

The purpose of this booklet is to guide you to the correct product for your stove.

### Connecting Flue Pipe PRIMA SMOOTH

Prima Smooth is the new stainless steel connecting flue pipe for use as an attractive and functional alternative to vitreous enamel. The joints in the pipe are formed to give the appearance of a smooth continuous length from the stove through to the System Chimney or Chimney Liner. Prima Smooth is offered in two versions:

- High Grade 316L Stainless Steel in a Matt finish.
- Black painted 316L Grade Stainless Steel using special high temperature stove paint with a matt black finish.

Prima Smooth is a lightweight precision engineered product.



### Chimney Liners TECNOFLEX & PRIMA PLUS

TecnoFlex is the leading twin skin flexible liner for solid fuel and wood burning appliances. Unique to Tecnoflex is the NEW range of screw fit adaptors and terminals.

Prima Plus 1mm is a rigid single wall chimney liner. It is manufactured from high quality 316L Grade Stainless Steel. The liner system has adjustable bends which are particularly useful if the stove is not directly in line with the chimney.



### Twin Wall Chimney Systems - ECO ICID

Eco ICID is the new twin wall chimney system specifically designed for stoves. A key feature of the system is the easy to install twist lock connections. A full range of accessories is available linking Eco ICID with the other products in the Stove Range, as well as introducing the new aesthetically designed ventilated firestop plates for use in the living room.

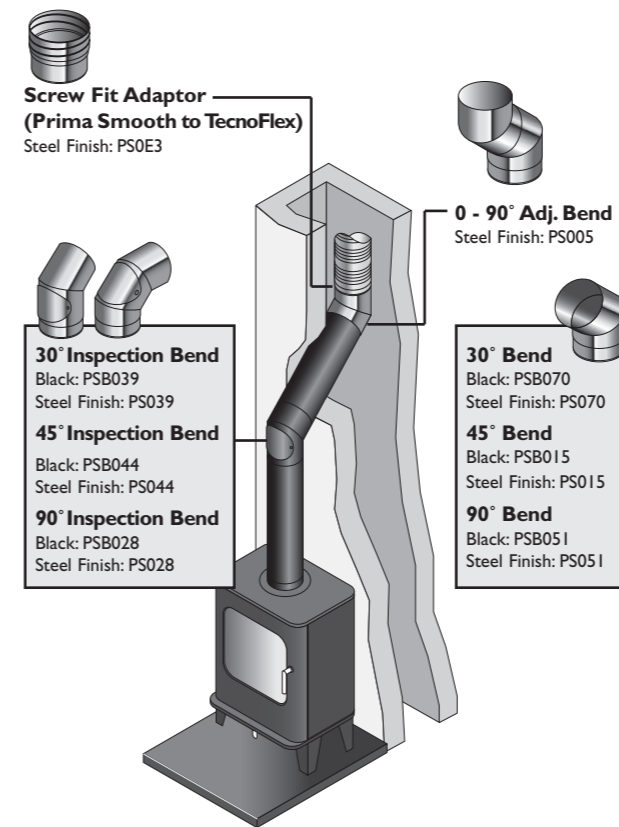


## Prima Smooth - Connecting Flue Pipe

Prima Smooth is the new stainless steel connecting flue pipe for use as an attractive and functional alternative to vitreous enamel.

- 316L Grade Stainless Steel
- Attractive appearance
- Lightweight
- Available in matt black or steel finish
- Can be painted
- 125 & 150mm internal diameters

Codes shown are for 0.6mm thickness. 1mm thickness also available. To specify the diameter add it to the code shown.



### Existing masonry chimney

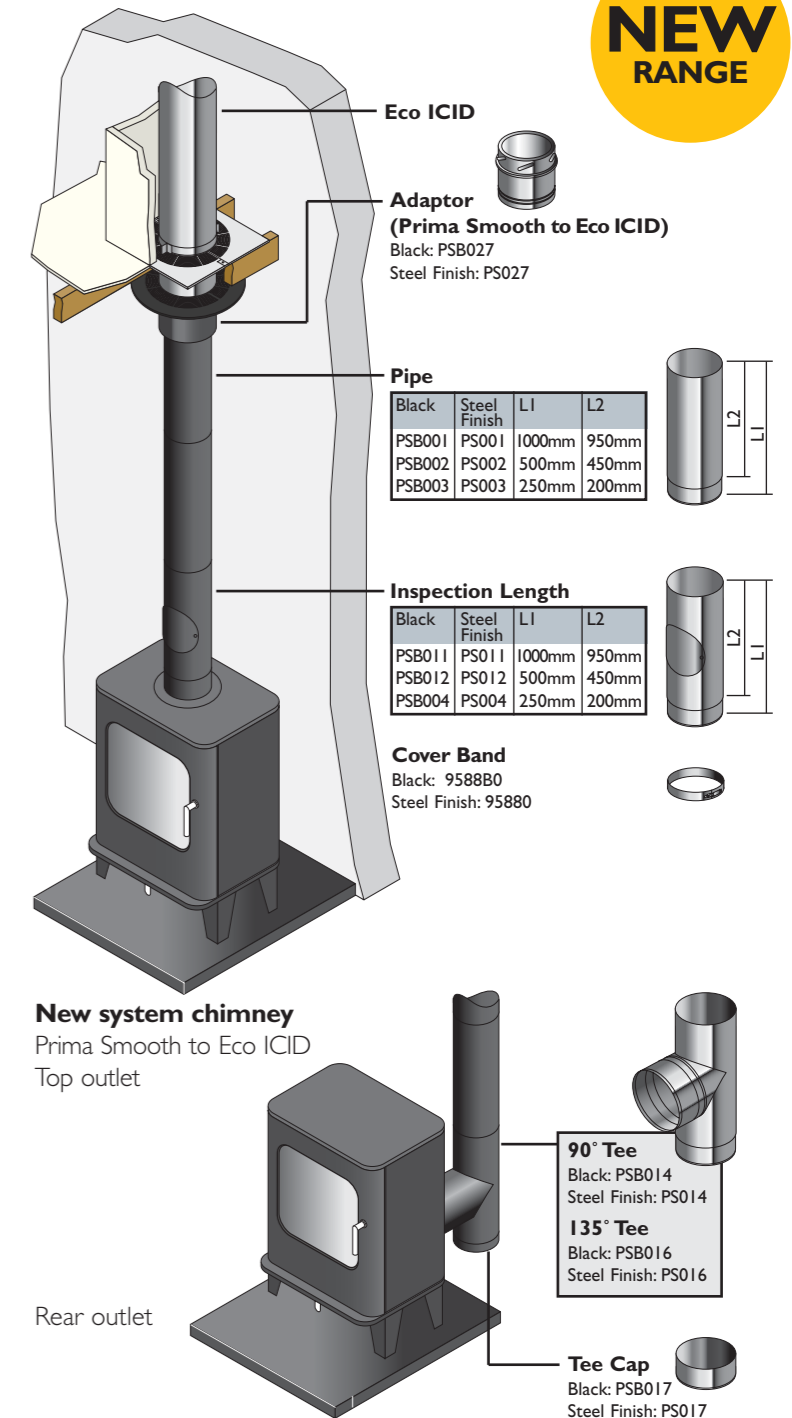
Prima Smooth connecting to TecnoFlex Chimney Liner

### Approvals **CE TÜV**

Prima Smooth is CE certified to EN1856-2 TÜV 0036 CPD 9195 029 with designations:

High Temperature Applications
T600 NI WV2 L50050 GXX NM
T600 NI WV2 L50100 GXX NM
(XX = 3 x Ø Int. of Pipe)

**NEW RANGE**



### New system chimney

Prima Smooth to Eco ICID  
Top outlet

Rear outlet



## TecnoFlex - Chimney Liner

TecnoFlex is the leading twin skin flexible chimney liner designed to work with wood burning and solid fuel stoves.

- Unique screw fit adaptors and terminals
- Available in 316L and 904L variants
- Single strip design with engineered overlap of joints
- Meter length markers
- Diameter range 125, 150 & 155mm

**NEW**

### Screw fit range of Terminals

Terminal  
4048

Pot Hanger  
4047

**NEW**

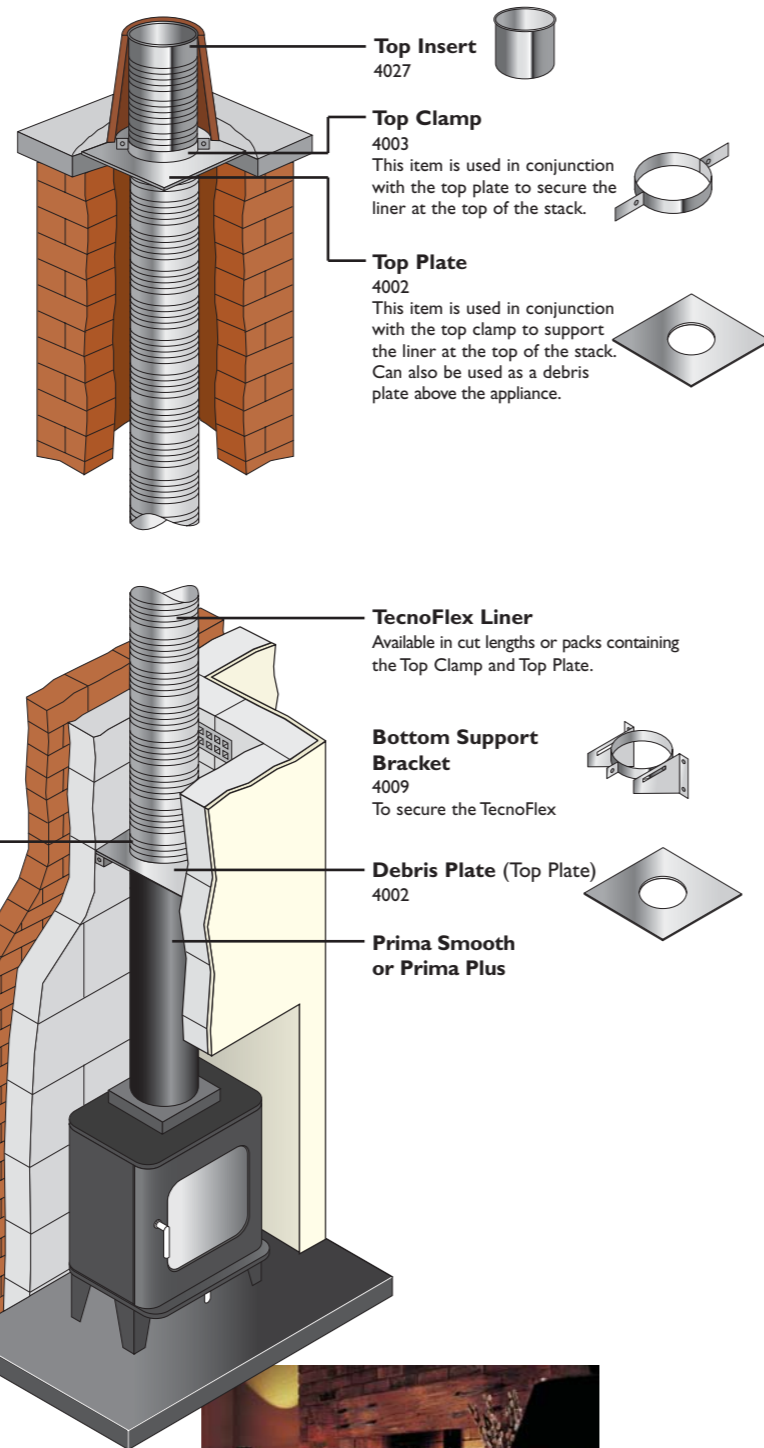
### Screw fit range of Adaptors

Prima Smooth to TecnoFlex  
Black: PSB0E3  
Steel Finish: PS0E3

Prima Plus to TecnoFlex  
S0E3

Vitreous to TecnoFlex  
4044

TecnoFlex to Prima Plus  
4040



**Approvals** **CE TUV**  
Tecnoflex is CE certified to EN1856-2 TÜV 0036 CPD 9195 025 with designations:

#### High Temperature Applications

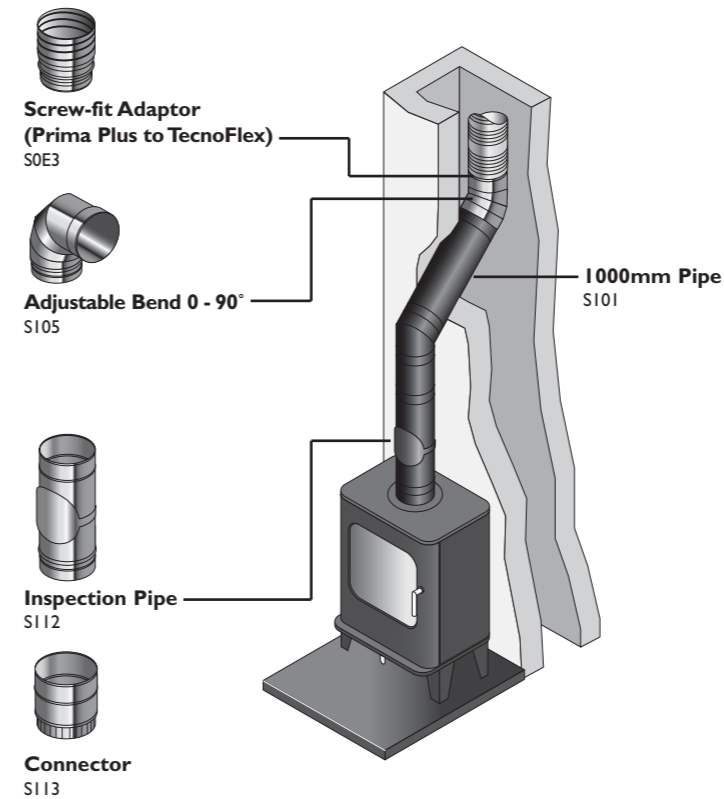
T600 NI WV2 L50012 G  
T600 NI WV2 L70012 G



## Prima Plus - Chimney Liner

Prima Plus 1mm is a high quality 316L stainless steel single wall liner system suitable for wood and solid fuel.

- Advanced corrosion-resistant design and construction
- Simple push fit connection
- Adjustable 0-90° quickly solve alignment problems
- Available in 130 & 150mm internal diameters



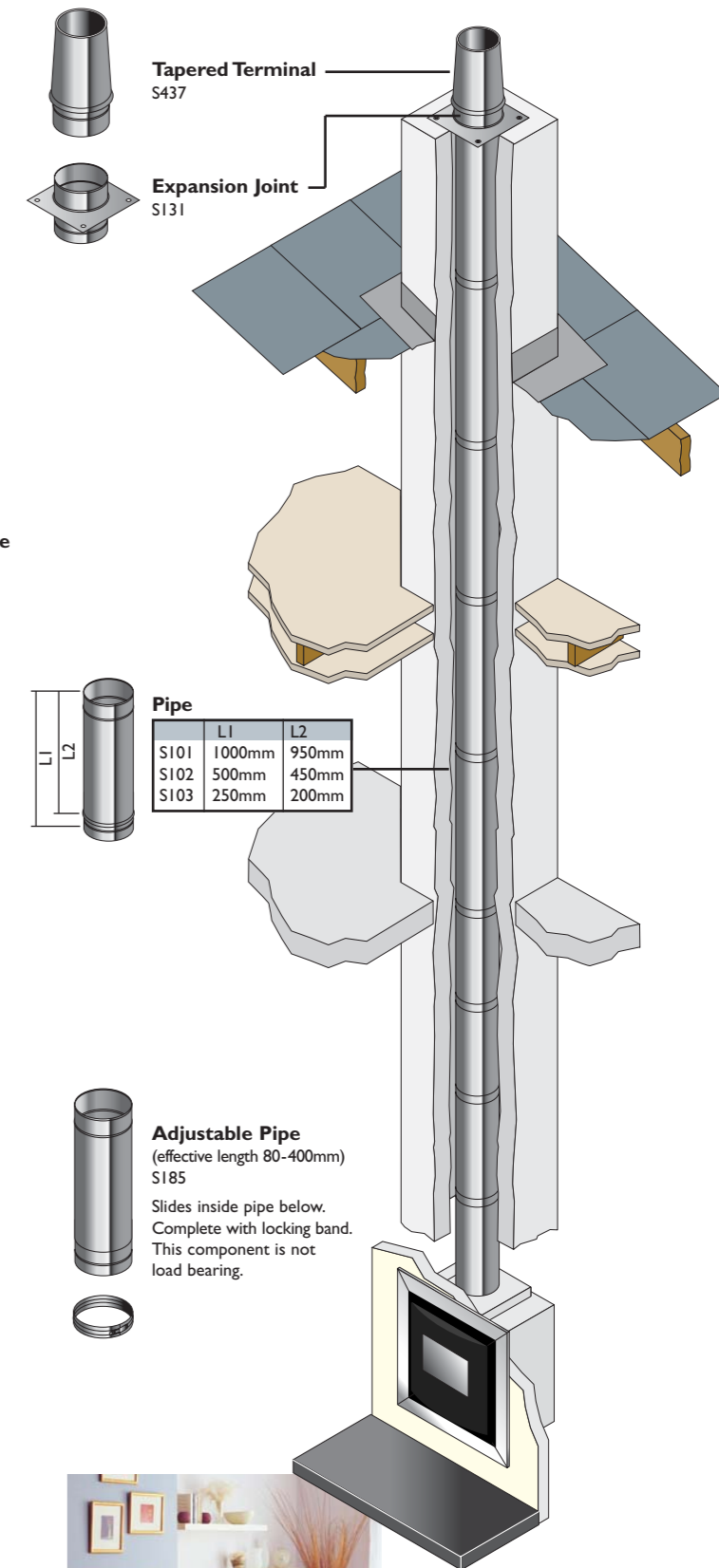
**Using Prima Plus as connecting flue pipe**  
Prima can be painted to match the stove

**Approvals** **CE TUV**  
Prima Plus is CE certified to EN1856-2 TÜV 0036 CPD 9195 017 with designations:

#### High Temperature Applications

Connecting Flue Pipe T600 NI WV2 L50060 G400 M  
Chimney Liner T600 NI WV2 L50060 G

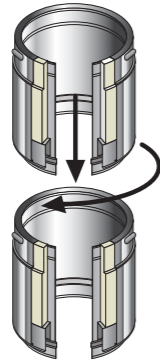
- Manufactured under a Quality Management Scheme approved to BS EN ISO 9001:2008
- Certified for corrosion resistance on gas, oil and solid fuel by MPA and TÜV
- HETAS listed for use on solid fuel applications.



# Eco ICID - System Chimney

The twin wall flue designed specifically for stoves.

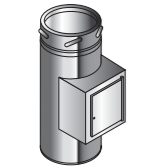
- Easy twist lock connection
- Effective insulation
- Competitive price
- Available in 125 & 150mm internal diameters (180 & 200mm external diameters)



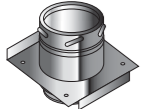
**Wall Band 50mm**  
92940



**135° Tee** DN8A137  
**90° Tee** DN8A135  
Tees are supplied complete with locking plug.



Optional **Inspection Length**  
DN8A011



**Wall Support Top Plate**  
DN8A0D3



**Tee Plug with Drain**  
DN8A138

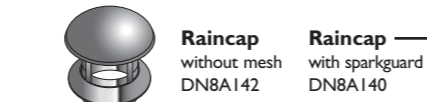
Prima Smooth, Prima Plus or vitreous enamel

External chimney

The Wall Support Top Plate may be supported (as shown) by **Wall Support Side Plates** DN8A0D2

or alternatively the **Cantilever Support**  
Type 325 - 95420001  
Type 475 - 95420002  
(Effective length 325mm and 475mm)

or **Cantilever Support**  
Type 570 - 95420003  
(Effective length 570mm)



**Raincap** without mesh DN8A142  
**Raincap** with sparkguard DN8A140



Also available **Tapered Terminal**  
DN8A038



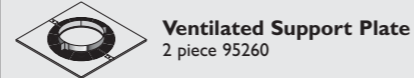
**Roof Support**  
94640

**NEW**

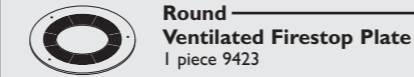
## Ventilated Firestop Plates - Combustible floor



**Rectangular Ventilated Firestop Plate**  
2 piece 94250



**Ventilated Support Plate**  
2 piece 95260



**Round Ventilated Firestop Plate**  
1 piece 9423

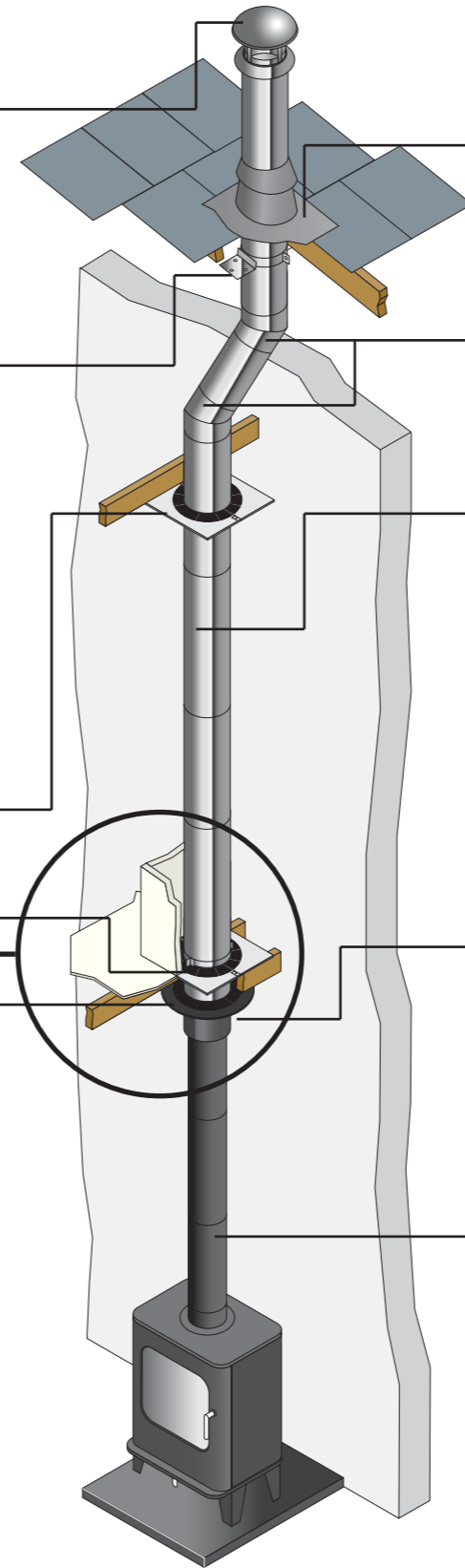
Codes and Finish Options:  
**Plain Galvanised Steel**  
9423P0 + Ext Ø  
**Black RAL 9005 (Matt)**  
9423B0 + Ext Ø  
**White RAL 9016 (Matt)**  
9423W0 + Ext Ø

### Distance between ICID and combustible material

In accordance with building regulations it is essential that the correct distance to combustible material is maintained.

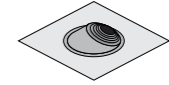
The distance is dependent upon the fuel used by the appliance and if the flue is in a combustible or non-combustible shaft. The approved minimum distances for ICID are as follows:

Fuel	Shaft & floor made from combustible materials	Shaft & floor made from non-combustible materials
Wood/Solid Fuel	60mm	50mm
Oil & Gas	50mm	50mm



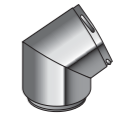
Chimney within the house

**Uniflash**  
94540002  
Universal EPDM rubber/aluminium flashing. Just pull the required diameter tab on the rubber seal.



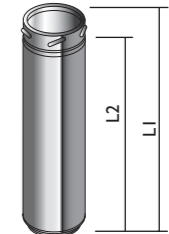
the most frequently used bends are:

**30° Bend** DN8A019  
**45° Bend** DN8A017



### Pipe

	L1	L2
DN8A128	1500mm	1460mm
DN8A001	1000mm	960mm
DN8A002	500mm	460mm
DN8A003	300mm	293mm
DN8A004	200mm	160mm



**Adjustable Pipe**  
DN8A009 Adjustable 50mm - 230mm

**Locking Band**  
DN8A083



**Adaptor (Prima Smooth to Eco ICID)**  
Black: PSB027  
Steel Finish: PS027



**Appliance Connector** DN8A047  
**Increasing Adaptor** DN8A136



Prima Smooth, Prima Plus or vitreous enamel

**Approvals** HETAS TÜV

Eco ICID is CE Certified to BS EN1856-1 TÜV 0036 CPD 9195001 with designations:

High Temperature Applications	
T450 NI WV2 L50050 G60 T450 NI DV3 L50050 G60 60mm Distance to combustibles in a combustible shaft*	T450 NI WV2 L50050 G50 T450 NI DV3 L50050 G50 50mm Distance to combustibles in a non combustible shaft or in free air*

- Manufactured under a Quality Management Scheme approved to BS EN ISO 9001: 2008
- 4 Hour Fire Rating to BS476 Part 20
- Certified for corrosion resistance on gas, oil and solid fuel by MPA and TÜV
- HETAS listed for use on solid fuel applications.