

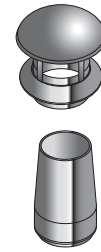
THE NEW **Eco ICID TWIN WALL** **FLUE FOR STOVES**

The NEW highly insulated twin wall flue for stoves

- *Easy Twist Lock Connection*
- *Effective Insulation*
- *Competitive Price*

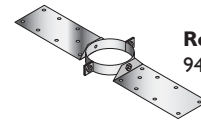
The NEW Eco ICID Twin Wall Flue designed specifically for stoves.

- *Easy Twist Lock Connection*
- *Effective Insulation*
- *Competitive Price*
- *Available in 125mm & 150mm internal diameters (180mm & 200mm external diameter)*



Raincap without mesh DN8A142
Raincap with sparkguard DN8A140

Also available
Tapered Terminal DN8A038



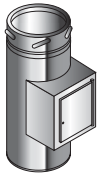
Roof Support 94640



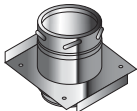
Wall Band 50mm 92940



135° Tee DN8A137
90° Tee DN8A135
 Tees are supplied complete with locking plug.



Optional Inspection Length DN8A011



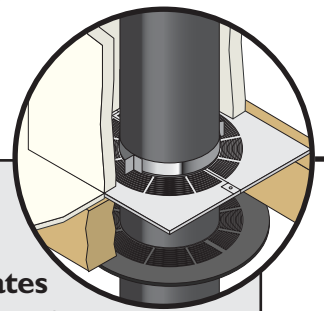
Wall Support Top Plate DN8A0D3



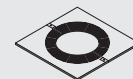
Tee Plug with Drain DN21138

Prima Smooth, Prima Plus or vitreous enamel

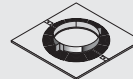
External chimney



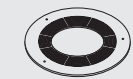
NEW! Ventilated Firestop Plates - Combustible floor



Rectangular Ventilated Firestop Plate 2 piece 94250



Ventilated Support Plate 2 piece 95260



Round Ventilated Firestop Plate 1 piece 9423

Codes and Finish Options:

Plain Galvanised Steel

9423P0 + Ext Ø

Black RAL 9005 (Matt)

9423B0 + Ext Ø

White RAL 9016 (Matt)

9423W0 + Ext Ø

The Wall Support Top Plate may be supported (as shown) by **Wall Support Side Plates** DN8A0D2

or alternatively the **Cantilever Support** Type 325 - 95420001 Type 475 - 95420002 (Effective length 325mm and 475mm)

or **Cantilever Support** Type 570 - 95420003 (Effective length 570mm)

Every effort is made to ensure accuracy at time of going to press. However, as part of our policy of continual product development, we reserve the right to alter specifications without prior notice.

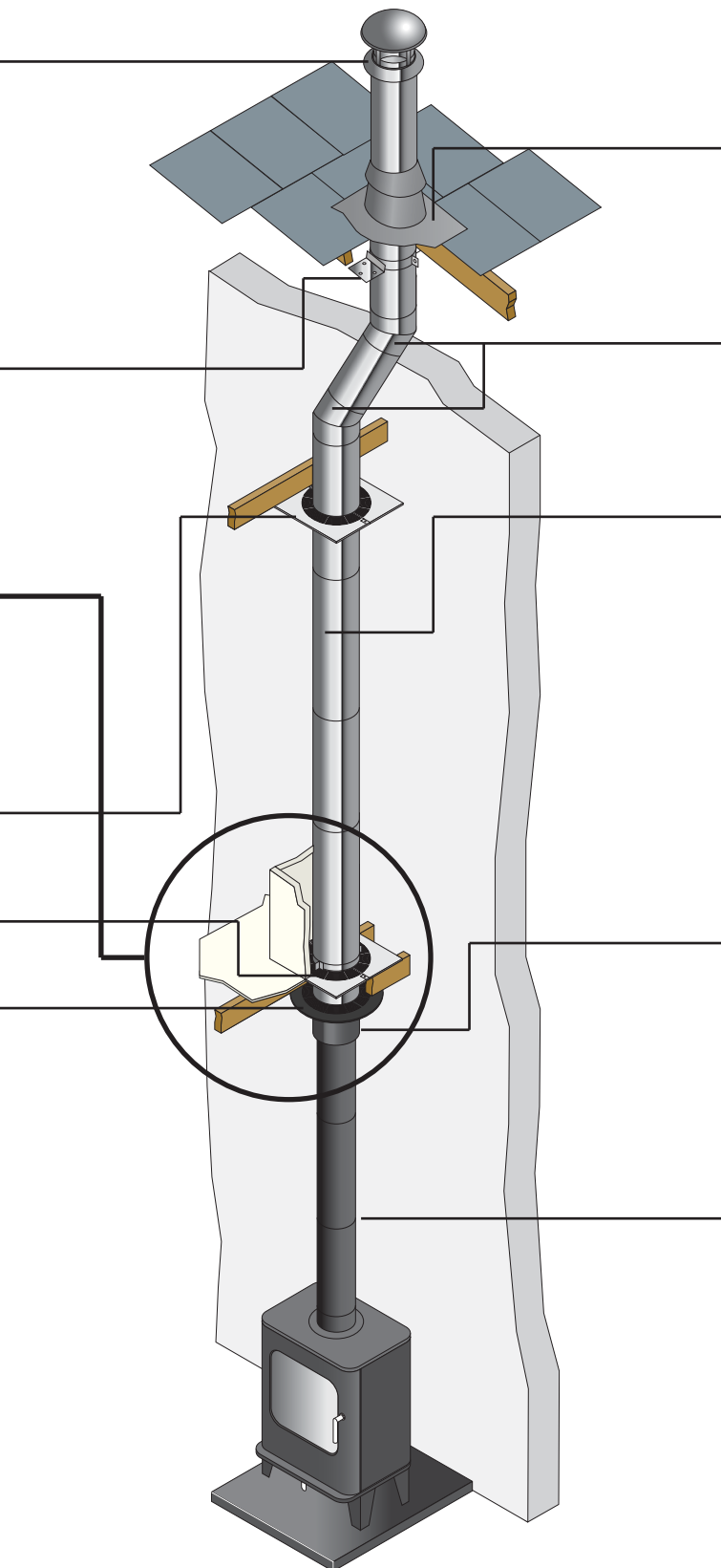
All installation drawings are graphical representations. Building regulations and relevant British standards must be adhered to.

Distance between ICID and combustible material

In accordance with building regulations its is essential that the correct distance to combustible material is maintained.

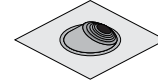
The distance is dependent upon the fuel used by the appliance and if the flue is in a combustible or non-combustible shaft. The approved minimum distances for ICID are as follows:

Fuel	Shaft & floor made from combustible materials	Shaft & floor made from non-combustible materials
Wood/Solid Fuel	60mm	50mm
Oil & Gas	50mm	50mm



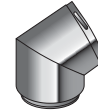
Chimney within the house

Uniflash
9454002
Universal EPDM rubber/aluminium flashing. Just pull the required diameter tab on the rubber seal.

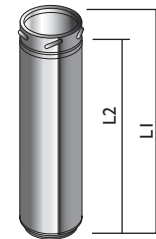


the most frequently used bends are:

30° Bend DN8A019 **45° Bend** DN8A017



Pipe	L1	L2
DN8A128	1500mm	1460mm
DN8A001	1000mm	960mm
DN8A002	500mm	460mm
DN8A003	300mm	293mm
DN8A004	200mm	160mm



Adjustable Pipe
DN8A009 Adjustable 50mm - 230mm

Locking Band
DN21083



Adaptor (Prima Smooth to Eco ICID)
Black: PSB027
Steel Finish: PS027



Appliance Connector DN8A047 **Increasing Adaptor** DN8A136

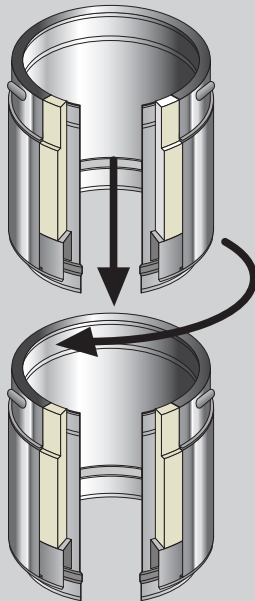


Prima Smooth, Prima Plus or vitreous enamel



PRODUCT DESCRIPTION

Available in diameters 125mm and 150mm, **Eco ICID** is a twin wall insulated chimney system specifically designed for use on stoves with continuous operating temperatures up to 450°C. The system is designed so that the outer case is load bearing and the inner liner is free to expand independently to accommodate temperature change. **Eco ICID** is soot fire resistant.



- Twist-lock bayonet jointing system. Secured by locking band.
- Advanced corrosion resistant design and construction uses laser welded 316L stainless steel inner liner and stainless steel case.
- The 25mm of high density rockwool insulation maintains flue gas temperature, maximising efficiency, improving flue draught on start up and minimising condensation.
- Low external case temperature.
- The inner liner is free to expand through the female collar, allowing for maximum thermal expansion even during a soot fire
- The inner liner has an inward bead at the female end which acts as a capillary break preventing moisture being drawn through the joint.

APPROVALS

ICID is CE Certified to BS EN1856-1 TÜV 0036 CPD 9195001 with designations:



High Temperature Applications	
<p>T450 NI WV2 L50050 G60 T450 NI DV3 L50050 G60 60mm Distance to combustibles in a combustible shaft*</p>	<p>T450 NI WV2 L50050 G50 T450 NI DV3 L50050 G50 50mm Distance to combustibles in a non combustible shaft or in free air*</p>

- Manufactured under a Quality Management Scheme approved to BS EN ISO 9001: 2008
- 4 Hour Fire Rating to BS476 Part 20
- Certified for corrosion resistance on gas, oil and solid fuel by MPA and TÜV
- HETAS listed for use on solid fuel applications.

Schiedel Chimney Systems

Crowther Estate
Washington
Tyne & Wear NE38 0AQ
Tel. +44 (0)191 416 1150
Fax. +44 (0)191 415 1263
info@schiedel.co.uk
www.schiedel.co.uk/rite-vent