

**NOW  
AVAILABLE!**

**THE NEW H006  
CHIMNEY SYSTEMS  
COURSE**

COVERING INTERNAL  
INSTALLATIONS



# HETAS TRAINING COURSES

*From Schiedel Chimney Systems - 2012*

# AN INTRODUCTION TO SCHIEDEL CHIMNEY SYSTEMS

Schiedel Chimney Systems is the leading supplier of chimney systems in Europe and the UK with the widest range of chimneys and flues in the widest choice of materials, stainless steel, pumice and ceramic. Full details of all our products can be found at [www.schiedel.co.uk](http://www.schiedel.co.uk)

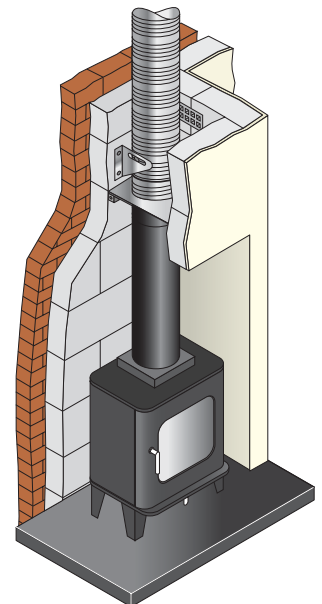
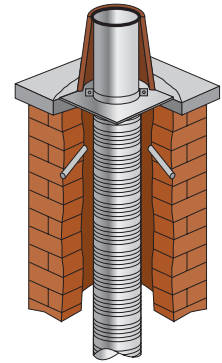
Our technical knowledge of chimneys and flues is already widely respected and now we have teamed up with HETAS to provide a comprehensive range of HETAS approved training courses at our newly created training centre in Washington, Tyne & Wear. The training is all carried out by HETAS approved Trainers.

## HOW TO FIND US

Leave the A1 at Junction 64, A195, and follow signs for the Holiday Inn. Go past the Holiday Inn into Crowther Estate. Schiedel Chimney Systems is on the right. The postcode is NE38 0AQ.

## HOTELS NEARBY

- **Holiday Inn** - Washington (Emerson Washington NE37 1LB)  
Tel: 0191 418 94 40 Email: [reservations-washington@ihg.com](mailto:reservations-washington@ihg.com)
- **Premier Inn** - Newcastle (Emerson Washington NE37 1LB)  
Tel: 0871 527 91 36
- **Travelodge** - Washington A1 (M) Southbound  
Tel: 0871 984 6271
- **Travelodge** - Washington A1 (N) Northbound  
Tel: 0871 984 6270



## COURSES AVAILABLE

All courses are designed and approved by Hetas.

### **H001 - Introduction to Solid Fuel**

One day course providing a basic introduction to Solid Fuel Installations & Regulations. The course is targeted at the candidate who has no prior knowledge of solid fuel appliances or fuels.

### **H002 - Solid Fuel Regulations & Standards (certificated)**

This two day theory and awareness course is designed to introduce candidates to the processes of solid fuel installations and is targeted at retail staff working in showrooms, installation surveyors, construction professionals, Building Control officers and architects, looking to improve their knowledge on legislation, design and specification of solid fuel installations. The course provides the skill set to carry out installer surveys and make an accurate assessment of requirements. Successful completion of the course is a pathway to registration as a HETAS Approved Retailer.

### **H003 - Dry Appliance Installer Course (practical assessed & certificated)**

This three day course is targeted at candidates who have relevant work experience on solid fuel appliances. The course concentrates on aspects of safe installation practice and includes the applicable Building Regulations and BS EN Standards. The course includes both theory and practical assessment. Successful completion of this course provides a route to HETAS registration and the HETAS Competent Persons Scheme for the installation and notification of Solid Fuel dry appliances. It should be noted that the H003 course does **not** cover the installation of Twin Wall Insulated Stainless Steel System Chimneys internally in residential properties, This type of installation is covered separately in the H006 Course. The H003 course will include both theory and practical assessment. Successful completion leads to certification that can be used for registration on the HETAS competent persons registration scheme for the installation of dry appliances.

### **H004 - Wet Appliances Installer Course (practical assessed & certificated)**

This course (additional one day to H003) is targeted at candidates who have relevant plumbing/heating work experience and completed H003. This will include both theory and practical assessment. Successful completion leads to certification that can be used for registration on the HETAS competent persons registration scheme for the installation of wet appliances.

### **H006 - Chimney Systems Course (certificated)**

This one day course provides the training required to correctly install Twin wall Insulated Stainless Steel System Chimneys internally into residential properties. The course covers both design and safe installation practice for internal systems, which will also be appropriate for external systems. The course discusses system components and how they are installed in relation to the various elements of a residential structure.

## COURSE DETAILS

### H001 - Introduction to Solid Fuel

Duration | Day

#### COURSE CONTENT

There will be an introduction to the various products available on the market. You will be given an understanding of:

- A variety of fuels.
- The need for rules and regulations and various standards in the industry.
- The role of HETAS in running the competent persons scheme and its other activities.
- The role of other bodies within the solid fuel industry.

Information will be provided on which other training will be needed to pursue a career in the solid fuel industry.

#### WHO SHOULD ATTEND

Anyone interested in a career in solid fuel whether it be purely selling or installing appliances. This course could also provide an insight into the industry for those wishing to decide which career path to follow. Candidates require no previous knowledge or experience to attend this course.

#### ENTRY REQUIREMENTS

There are no pre-requisites for this course.



## COURSE DETAILS

### H002 - Solid Fuel Regulations & Standards (certified)

Duration 2 Days

#### COURSE CONTENT

The course will cover all the relevant building regulations and standards that are required to install a solid fuel appliance. There will be presentations on the need for correct flueing, how to ascertain which appliance is suitable for which installation, an insight into the different fuels and their correct storage and use. You will learn of the different types of solid fuel appliances and their suitability for a given situation. The course will conclude with a theory assessment. Successful completion of this course is a pathway to registration as a HETAS Approved Retailer.

#### WHO SHOULD ATTEND

This theory and awareness course is designed to introduce candidates to the process of solid fuel installations and is targeted at retail staff, surveyors, specifiers, building control officers, architects and anyone in the industry who is looking to gain knowledge on legislation, design and specification of solid fuel installations and who gives advice but does not carry out installations.

#### ENTRY REQUIREMENTS

Candidates should come from a specifier based occupation, including stove shop retailers, construction professionals, architects. Building Control officers and surveyors.



## COURSE DETAILS

### H003 - Dry Appliance Installer Course (practical assessed)

Duration 3 Days

#### COURSE CONTENT

There will be instruction on all aspects of installation, commissioning and servicing of dry solid fuel appliances. There will be both theory and practical training on the correct installation of appliances, flues, hearths and fireplaces. Please note that the installation of Twin Wall Insulated Stainless Steel Chimney Systems internally on Residential properties is **not** covered in this course, but is covered in the separate one day H006 course (see p.8). The H003 course will also include a presentation on all the relevant building regulations as well as the British and European standards currently used in the solid fuel industry. There will be an in depth discussion on flues, how they work, why they don't work, how to correct faults and the correct use of terminals. Successful completion of this course provides a route to HETAS registration and the HETAS Competent persons Scheme for the installation and notification of solid fuel dry appliances.

#### WHO SHOULD ATTEND

This course is targeted at installation engineers who have the relevant work experience. You would already be working in the solid fuel industry or have relevant work experience in the construction/heating industry.

#### ENTRY REQUIREMENTS

Verifiable work experience on dry stove installations, and at least one of the following:

1. Evidence of Oftec 101 or 102.
2. Evidence of Gas Safe Registration - CCNI & HTRI
3. At least 2 years in the building industry as a plumber or heating engineer, or work experience on chimneys and or solid fuel appliances including a portfolio of evidence of work on stove installations with references from Building Inspectors, employers or customers.



## COURSE DETAILS

### **H004 - Wet Appliance Installer Course (practical assessed)**

Duration | Day (additional to H003)

#### **COURSE CONTENT**

This is an additional one day course for those who have attended the 3 day dry installation course. The course includes training on the installation of solid fuel appliances with boilers and the integration of other heating appliances and technology including the principles of gravity circulation. It will also cover heating system commissioning. The course can be taken as an individual day or immediately following course H003. Successful completion provides a pathway to registration on the HETAS Competent Persons Scheme for the Installation of Wet Appliances.

#### **WHO SHOULD ATTEND**

Installation engineers who wish to install solid fuel appliances with some form of water heating and who wish to proceed down the pathway to registration on the HETAS Competent Persons Scheme.

#### **ENTRY REQUIREMENTS**

Successful completion of Hetas Dry Appliance Installer Course H003, and at least one of the following:

1. Evidence of Oftec 101.
2. Evidence of Gas Safe Registration - CCNI & CENI
3. Evidence of formal qualification i.e NVQ3, City & Guilds (6089) or equivalent.
4. Verifiable work experience on wet stove installations.



## COURSE DETAILS

### H006 - Chimney Systems Installations Course (certified)

Duration | Day

#### COURSE CONTENT

This is a one day course providing training on the correct installation of Twin Wall Insulated Stainless Steel System Chimneys into Residential Properties. The objective is to deliver training for the design and safe installation of internal System Chimneys, but will also be appropriate for external systems. The course will discuss system components and safe installation in relation to the various elements of a residential structure - i.e passing through walls, floors, ceilings and roof spaces as well as termination.

#### WHO SHOULD ATTEND

Installation Engineers who wish to go down the path of HETAS registration, and therefore be in a position to self-certify that their work complies with the relevant Building Regulations and use the HETAS works notification system to issue the customer with a Certificate of Compliance relating to the safe Installation of System Chimneys Internally in Residential properties.

#### ENTRY REQUIREMENTS

Relevant experience with the Installation of Solid Fuel Appliances.



## COURSE DATES & COSTS

<b>CODE</b>	<b>TITLE</b>	<b>DATES</b>	<b>DAYS</b>	<b>PRICE (EX.VAT)</b>	<b>PRICE (INC.VAT)</b>
H001	Introduction to Solid Fuel	March 7	1	£240	£288
H002	Solid Fuel Regulations & Standards	March 7-8	2	£410	£492
H003	Dry Appliance Installer Course (practical assessed)	Jan 23-25 Feb 20-22	3	£575	£690
H004	Wet Appliance Installer Course (practical assessed)	Jan 26 Feb 23	1 additional to H003	£200	£240
H006	Twin Wall Insulated Stainless Steel Chimney Installation Course (practical assessed)	March 9	1	£200	£240

# APPLICATION FOR TRAINING & ASSESSMENT

Please print clearly. Accuracy is essential; amendment of certificate as a result of incorrect or illegible information may incur a charge.

Send completed Booking Form and copies of pre-requisites and ID to:

**Wendy Pearson, Schiedel Chimney Systems, Crowther Estate, Washington, Tyne & Wear NE38 0AQ Email: training@schiedel.co.uk**

**TRAINING CENTRE - SCHIEDEL CHIMNEY SYSTEMS, WASHINGTON - Unique Training Centre No: HTC/SCH001**

## YOUR DETAILS

NI Number:	<input type="text"/>	Please provide photographic proof of identification OR attach a passport photograph here.
Forename:	<input type="text"/>	
Surname:	<input type="text"/>	
Company:	<input type="text"/>	
Address: <i>(Certificate will be sent to this address unless otherwise informed)</i>	<input type="text"/>	
	<input type="text"/>	
Postcode:	<input type="text"/>	
Telephone:	<input type="text"/>	
Mobile:	<input type="text"/>	
Email:	<input type="text"/>	

## COURSES (Please tick the appropriate box)

<b>H001</b> Introduction	No pre-requisites necessary.	<input type="checkbox"/>
<b>H002</b> Awareness	Preferably working within the industry.	<input type="checkbox"/>
<b>H003</b> Dry Installer	I declare I have appropriate and verifiable work experience and/or qualification within the stove industry.*	<input type="checkbox"/>
<b>H003/4</b> Wet & Dry Installer	I declare that I have appropriate and verifiable work experience within the stove industry and hold a valid Part G Unvented Certificate and Formal Plumbing & Heating Qualifications.*	<input type="checkbox"/>
<b>H004</b> Top up	I declare that I have completed H003 (within 3 years) and hold a valid Part G Unvented Certificate and Formal Plumbing & Heating Qualifications.*	<input type="checkbox"/>
<b>H006</b>	I declare I have relevant experience with the installation of solid fuel appliances.	<input type="checkbox"/>

**\*See pages 6 and 7 for full details of pre-requisite experience or qualifications required for H003 and H004 courses.**

Please note: to be issued with a Certificate of completion candidates will need to provide evidence of relevant pre-requisite experience or qualification.

## MEDICAL REQUIREMENTS (including diet)

Should you have a medical condition that may affect your work, the assessment process or any other need, please list them separately and attach them to this application - Tick box if applicable. If you have any particular dietary request, please inform the centre.

## DECLARATION

**I certify that all the particulars given are correct and understand that should any false statement(s)/omission(s) be made on this form, HETAS reserves the right to withdraw or cancel the training certificate and or operative/business registration with the HETAS Competent Person Scheme.**

Signature: \_\_\_\_\_

Date: \_\_\_\_\_

DATA PROTECTION ACT: The data provided on this form will be used in accordance with the current Data Protection Act. It will be used by HETAS for certification purposes. The information relating to operative qualification will be available to the public, or any other interested parties with a legitimate interest. If you do not wish to receive further mailings on other related subjects, please tick this box:

**Certificates not received within 1 month of assessment should be brought to the attention of HETAS Ltd.**

**TRAINING CENTRE USE ONLY** (\*delete as appropriate. Please submit reasons for rejection)

Applicant Accepted\*/Declined\* for the training recorded above and pre-requisite evidence received.

Centre representative: \_\_\_\_\_

Signature: \_\_\_\_\_

Date: \_\_\_\_\_

**PAYMENT DETAILS**

- |  |  |   |
|--|--|---|
| <input type="checkbox"/> Cheque enclosed for £<br>Made payable to: Schiedel Chimney Systems Ltd. | <input type="checkbox"/> Credit/Debit Card<br>To pay by card please phone<br>Wendy on 0191 4161150 | <input type="checkbox"/> BACS<br>See details below. |
|--|--|---|

**BACS DETAILS - Sterling Account**

**Account:** Schiedel Chimney Systems Ltd.    **Bank:** Barclays Bank PLC    **Account No:** 43110710  
**Sort Code:** 20-23-97    **IBAN Code:** GB53BARC202397 43110710    **SWIFT:** BARCGB22

**BACS DETAILS - Euro Account**

**Account:** Schiedel Chimney Systems Ltd.    **Bank:** Barclays Bank PLC    **Account No:** 74041477  
**Sort Code:** 20-23-97    **IBAN Code:** GB59BARC202397 74041477    **SWIFT:** BARCGB22

To ensure your bank transfer is allocated correctly, please supply the following information:

Account No:

Amount:

Originating Bank:

Originating Country:

## Terms & Conditions of booking

**Bookings** - Full payment must be made with the booking and should be attached to the official booking form. A provisional booking can be made and a place will be held for 7 days whilst the booking form and payment are sent. After 7 days this place may be lost if the course is nearly full and other bookings with payment have been received.

**Courses** - It is the responsibility of the person booking the course to ensure they have booked the correct course. No refund will be given if the wrong course has been booked. Please see the attached prospectus for course details and pre-requisites.

**Proof of identity & Credentials** - The following items must have been presented to the tutor prior to the start of the course:

- One passport size photograph.
- Proof of identity (card type, driving licence or passport).
- A photocopy of the required qualifications (see prerequisites).

Important note: Where a candidate is unable to produce the above identification and documentation, Schiedel reserve the right to refuse entry to the course without refund.

**Personal Protection** - Candidates should bring with them safety boots, eye protection and safety gloves.

**Methods of Payment** - Cheque, Debit & Credit cards, BACS.

- Cheque, Debit Card & BACS Payments – No surcharge will be made for payment methods of this type.
- Cheques must have cleared funds at least 21 days prior to the course start date.
- Please make cheques payable to: Schiedel Chimney Systems Ltd.
- Credit Card Payments – There will be a surcharge of £7.50 to the base cost of each course (excl.VAT) for this type of payment i.e on an H001 course the cost would be £207.50 excl.VAT and £249 incl.VAT.

**Cancellation** - If cancellation is made more than 14 days before the course starts a **full refund** will be provided, minus an administration fee of £25.00.

If cancellation is made between 7 and 14 days before the course starts a **50% refund** will be made unless we are able to fill the place, in which case a full refund will be provided minus an administration fee of £25.00.

If cancellation is made less than 7 days before the course starts **no refund** will be made unless we are able to fill the place when a full refund will be provided minus an administration fee of £25.00.

**Resits** - In the case of a referral, theory assessment re-sits will be charged at £60 excl.VAT per candidate, practical reassessments at £165 excl.VAT and theory & practical at £185 excl.VAT.

**VAT Registration Number** - GB 675 3117 31

for more information on all our products visit  
**[www.schiedel.co.uk](http://www.schiedel.co.uk)**



#### **SCHIEDEL SWIFT CHIMNEY SYSTEMS**

Schiedel Swift Chimney Systems combine speed and ease of assembly with consistently high insulation properties.



#### **CERAMIC LINERS**

Schiedel also offer a competitive range of ceramic flue liners and accessories.



#### **ISOKERN PRODUCTS**

Isokern Chimney Systems are made with volcanic pumice, a natural product that is also a natural insulator.



#### **RITE-VENT STEEL CHIMNEYS**

Schiedel Rite-Vent is a comprehensive range of twin wall, single wall and flexible steel flues.

#### **Schiedel Chimney Systems**

Crowther Estate  
Washington  
Tyne & Wear NE38 0AQ  
Tel. +44 (0)191 416 1150  
Fax. +44 (0)191 415 1263  
[info@schiedel.co.uk](mailto:info@schiedel.co.uk)  
[www.schiedel.co.uk](http://www.schiedel.co.uk)